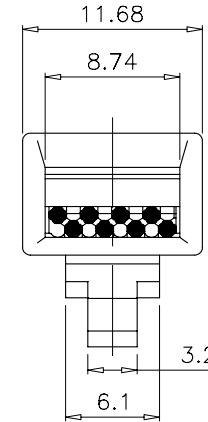
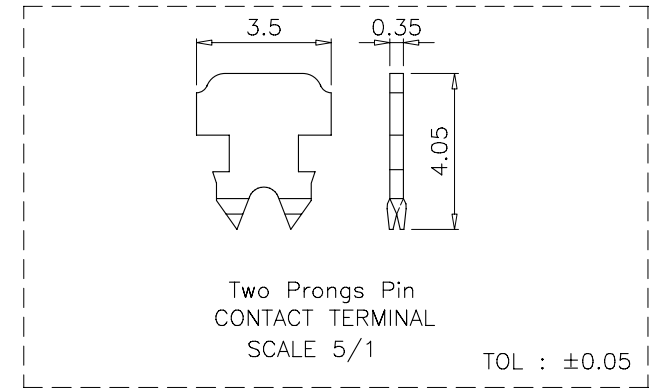
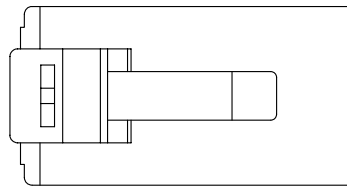
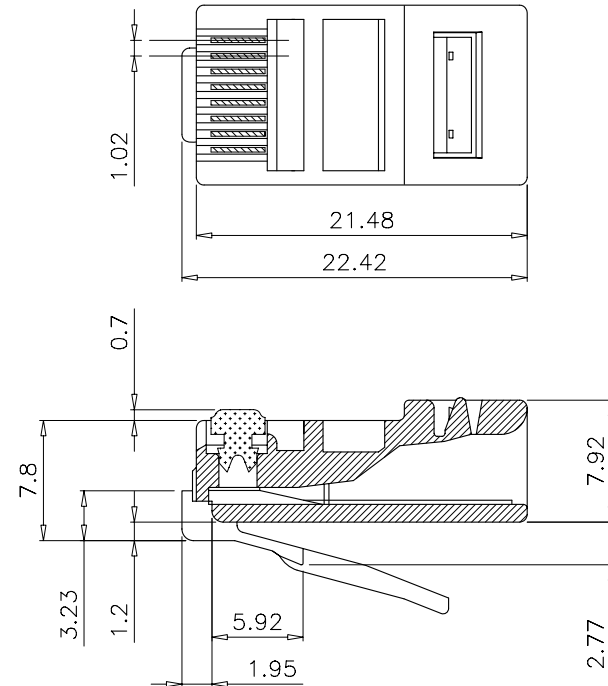
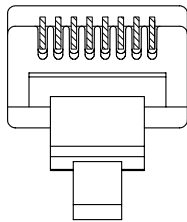


SCALE 2/1



Specification :

Material :

1. Housing : Polycarbonate, UL 94V-2, Transparence color.
2. Contact Terminal : Phosphor Bronze.
Finished : 50 micro-inch Gold plating


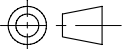

Performance :

- a. Operation Temperature : -40°C to 80°C.
- b. Cable to Plug Tensile Strength : 7.7 kgs.
- c. Use for 24-26 AWG stranded wires.

Remark : PB88XX2X

(1)

(1) XX : Gold plating Thickness
OF=Flush, 50=50U".

GENERAL TOLERANCE OF DIMENSIONS ±0.1	DRAWING	22.JUN.2005				
	CHECK	22.JUN.2005				
	APPROVAL	22.JUN.2005				
	DATE	NAME	ITEM NO.: 121141-v1			
SCALE	2/1 (A4)	UNIT	mm	DES.: Unshielded 8P8C		
		DRAWING NO.				
DRAWING CLASSIFICATION		S	SHEET	1	OF	1