

## USB 3.0 Active Extension Cable, 5.0m

133346

The equip<sup>®</sup> USB 3.0 Active Extension Cable is composed of high-quality materials to help deliver ultrafast and error-free data transmissions for the best performance. Simply Plug-and-Play to extend the distance between your computer and existing USB peripherals and enjoy the Super Speed USB transfer rate of up to 5Gbps.

### | Specification

<b>Connectors</b>	1 x USB A Type Male 1 x USB A Type Female
<b>Physical Properties</b>	Cable length: 5m Weight: 700g

### | Ordering Information

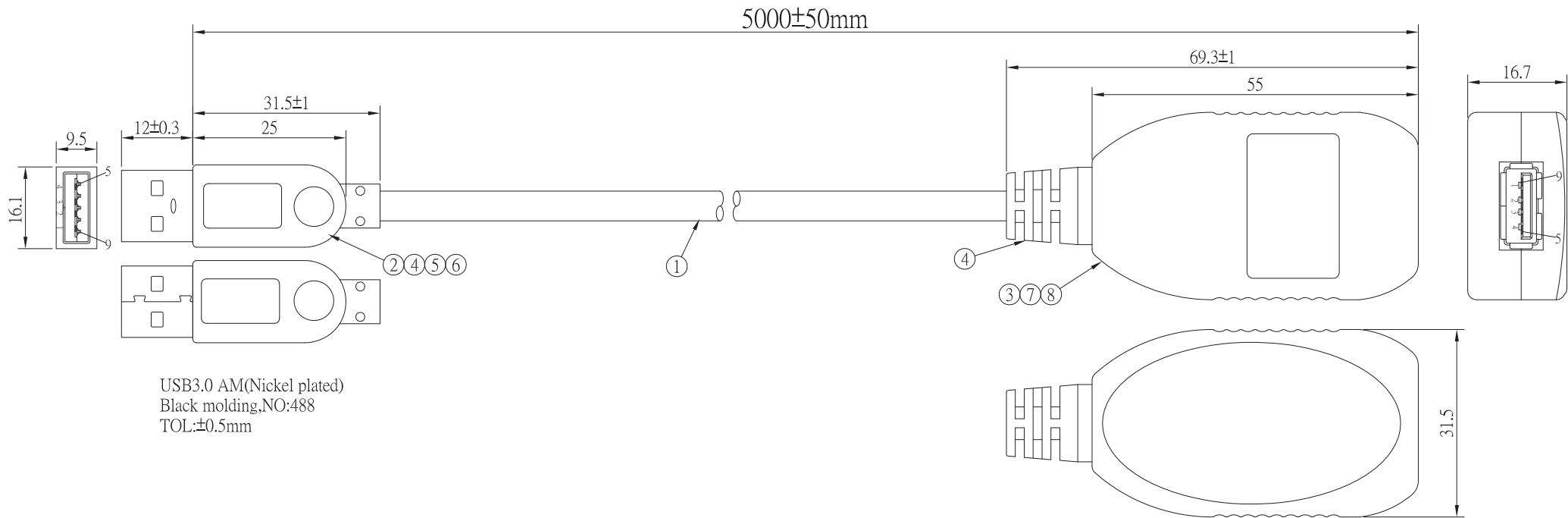
PN	EAN	Length
13334607101	4015867224946	5.0m

### | Key Features

- Nickle plated
- Extend the connection of USB 3.0
- USB bus-powered
- Support up to 5Gbps transfer rate
- Double shielding for error-free data transfer

### | Package Contents

- 1 x USB 3.0 Active Extension Cable



USB3.0 AM(Nickel plated)  
Black molding,NO:488  
TOL:±0.5mm

USB3.0 AF(Nickel plated)  
Black plastic assembly shell  
SR Black molding,NO:478  
TOL:±0.5mm

PIN ASSIGNMENT:

USB3.0 AM	1	2	3	4	5	6	7	7	8	9	64
USB3.0 AF	1	2	3	4	5	6	7	7	8	9	64
	Red	White	Green	Black	Blue	Yellow	GND	GND	Purple	Orange	Braid
		TP			TP				TP		

OPEN/SHORT TEST: 100% TEST.  
INSULATION: MIN 5M.

⑧	PCB:KA-788 REV1.0(IC:VL815)	1PCS
⑦	Black plastic assembly shell	1PCS
⑥	Copper foil	1PCS
⑤	PE	5g
④	Black 45P PVC	10g
③	USB3.0 AF(Blue Insulator,Nickel plated)	1PCS
②	USB3.0 AM(Blue Insulator,Nickel plated)	1PCS
①	UL2725 3.0Ver(1P*28#+DAM)*2C+28#*1P+24#*2C+AL+D+B(16*6*0.12AM) OD=5.5MM Black PVC Jacket	1PCS
No.	Description	Q'ty

Company	DDC	Goods Code	Draw	OYH	Date	2020.08.12
ITEM NO.	133346	Drawing Evidence	Check		Date	
Goods NO.			Approval		Date	
Original NO.		Unit(mm)	Audit		Date	



D		
C		
B		
VER.A	REVISE	Date